

MFJ

2500 Watt SSB / CW Tuner

Model MFJ-9982

INSTRUCTION MANUAL

Requires 9V Battery or 12V DC Source for Meter Operation



CAUTION: Read All Instructions Before Operating Equipment

MFJ ENTERPRISES, INC.

300 Industrial Park Road
Starkville, MS 39759 USA
Tel: 662-323-5869 Fax: 662-323-6551

DISCLAIMER

Information in this manual is designed for **user purposes only** and is *not* intended to supersede information contained in customer regulations, technical manuals/documents, positional handbooks, or other official publications. The copy of this manual provided to the customer will *not* be updated to reflect current data.

Customers using this manual should report errors or omissions, recommendations for improvements, or other comments to MFJ Enterprises, 300 Industrial Park Road, Starkville, MS 39759. Phone: (662) 323-5869; FAX: (662) 323-6551. Business hours: M-F 8-4:30 CST.

1.0 Introduction

The MFJ-9982 is a high power antenna tuner that will operate at power levels up to 2500 watts **SSB or CW**. The MFJ-9982 uses an edge wound roller inductor in a matching “T” network to continuously tune loads between 1.8 and 30 MHz. The MFJ-9982 uses an edge wound roller inductor in a matching “T” network to continuously tune loads between 1.8 and 30 MHz. The tuner also features a *true* peak or average reading SWR/Wattmeter.

The MFJ-9982 will match dipoles, inverted-vees, verticals, mobile whips, beams, random wires, and many other antennas. The MFJ-9982 has rear panel connectors for coaxial and single wire or balanced feedlines. The balanced feedlines are isolated from the tuner chassis with a fiberglass panel to reduce capacitive coupling and withstand high voltages and handle high currents.

The MFJ-9982 is designed to match 50 ohm output amplifiers, transmitters or transceivers to virtually any antenna with an impedance ranging from 12.5-2000 ohms on 3.5-30 MHz. The tuner will match loads ranging from 12.5-800 ohms on 1.8-3.5 MHz.

Peak and average forward power, reflected power, and SWR are displayed on the MFJ-9982's illuminated cross-needle meter. An internal six-position antenna selector switch selects a built-in 50 ohm dummy load, two coaxial line outputs, or a single wire/ balanced line output. The coaxial line outputs can be selected in tuned (with tuner's matching network in line) or direct (no matching circuit) configurations.

Understanding Power Ratings

Load conditions and control settings greatly affect the power handling capability of the tuner. T-networks typically handle more power on higher frequency bands into higher load impedances. The worst operating condition for T network tuners are low impedance capacitive reactance loads. T-network tuners always handle the least power when operated on 160 meters into low impedance capacitive reactive loads.

Follow the guidelines in this manual to avoid exceeding the ratings of this tuner.

True Active Peak Reading SWR/Wattmeter

The cross-needle meter measures the peak or average FORWARD power, REFLECTED power, and SWR. The illuminated cross-needle meter operates with the antenna tuning circuit in or out of line. The wattmeter can be used without the tuning network by setting the **ANTENNA SELECTOR** to either of the two **COAX DIRECT** positions of the antenna selector. The wattmeter is active in all positions of the **ANTENNA SELECTOR**. **The meter must have a power source in order to function.** Power can be provided by an external 12 Vdc supply (negative ground only) or an internal nine-volt “transistor radio” battery.

The meter must have a power source in order to function. Power can be provided by an external 12 Vdc supply (negative ground only) or an internal nine-volt “transistor radio” battery.

The meter's full scale forward and reflected power range is controlled by the **RANGE** switch that selects **HI (3000W)** or **LO (300W)**. If your transmitter runs more than 300 watts of output power, set this

switch to the **HI** (in) position. If your transmitter has less than 300 watts of output, set this switch to the **LO** (out) position.

Peak envelope power (PEP) is measured when the **PK** or **AVG POWER** push button (center) is placed in the **PK** (in) position. Peak power and average power values are equal with steady unmodulated carriers, FSK, or FM. The meter reading on these modes will be the same whether the **PK / AVG** button is pressed or released. On SSB, the PEP meter reading should be twice the average power with two tone test modulation.

On SSB, the ratio of PEP to average power varies with different voice characteristics. With most voices, the PEP reading is three to five times higher than the average voice power reading. The most accurate peak envelope power readings are obtained only with sustained carrier, voice or two tone test modulation. During normal voice modulation the wattmeter will typically indicate only 70% of the true peak envelope power.

Forward power is displayed on the left-hand FORWARD meter scale. This scale is calibrated from 0 to 300 watts and is read directly in the **300W (LO)** position. Each picket (scale mark) represents 5 watts below 10 watts, 10 watts between 10 and 100 watts, and 25 watts between 100 and 300 watts. In the **3000W (HI)** position, the forward power scale must be multiplied by 10. Each picket represents 50 watts below 100 watts, 100 watts from 100 to 1000 watts, and 250 watts from 1000 to 3000 watts.

The reflected power is read on the right-hand REFLECTED meter scale. Reflected power is 60 watts full scale when the **300W (LO)** power sensitivity is selected, and 600 watts full scale when the **3000W (HI)** power scale is selected.

The most accurate power readings occur in the upper half of the meter scales. When trying to measure power with a less than perfect match, the reflected power should be subtracted from the forward power reading in order to find the true power.

The SWR is read directly from nine red SWR curves that range from 1:1 to infinity. SWR is measured by observing the point where the forward and reflected power needles cross. The SWR is indicated by the red curve closest to the needle crossing point. No cumbersome or time-consuming SWR sensitivity adjustments are required with this meter.

NOTE: The wattmeter must have a power source in order to function. A nine-volt battery may be installed in the compartment on the rear panel, or an external 12 Vdc source, such as the optional MFJ-1312D power supply, may be used.

The rear panel jack accepts a 2.1 mm coaxial plug with the center conductor positive (+) and the sleeve negative (-). The negative lead is grounded inside the tuner. There is no need to disconnect the battery when using external power. An internal lamp backlights the meter scale. The lamp circuit requires power from an external 12 Vdc source and will not illuminate unless an external supply is used. The **LAMP ON / OFF** switch turns the meter lamp on and off.

CAUTION: It is not recommended that the tuner be operated without a battery installed. The battery leads may otherwise make contact with internal components carrying high voltage, causing permanent damage to the meter circuit. For this reason, the battery leads are attached to the chassis prior to shipment.

Antenna Selector

The **ANTENNA SELECTOR** allows you to select 2 rear panel SO-239 coaxial connectors either direct or through the tuner, a 50 ohm dummy load, and single wire or balanced feedline antennas. **The 50 ohm DUMMY LOAD** can be used for 10 minutes at a power level of 100 watts and a maximum of 10 seconds at 1.5kw. If these times are exceeded damage may occur to the tuner.

Installation

WARNING: *Locate the tuner so the rear is not accessible during operation. High Voltages will be present on the terminals. Serious Injury will occur if contact is made with connectors.*

NOTE: *The meter must have a power source in order to function. Power can be provided by an external 12 Vdc supply (negative ground only) or an internal nine-volt battery.*

1. Locate the tuner in a convenient location at the operating position. If random wire or balanced line operation is used, the ceramic feed through insulators **will** have high RF voltages. These voltages can cause serious RF burns if the terminals are touched when transmitting. **Be sure to locate the tuner so these terminals can not be accidentally contacted during operation.**
2. Install the tuner between the transmitter and the antenna as shown in figure 1 below. Use a coaxial cable (such as RG-8/U) to connect the transmitter (or amplifier) to the connector marked **TRANSMITTER** on the rear of the tuner.



Figure 1

3. Connect the antenna(s) to the tuner as follows:

IMPORTANT: The aluminum jumper must be placed from the ground terminal to the bottom balanced line terminal for COAX 1, COAX 2, or Random Wire Operation. See figure 1.

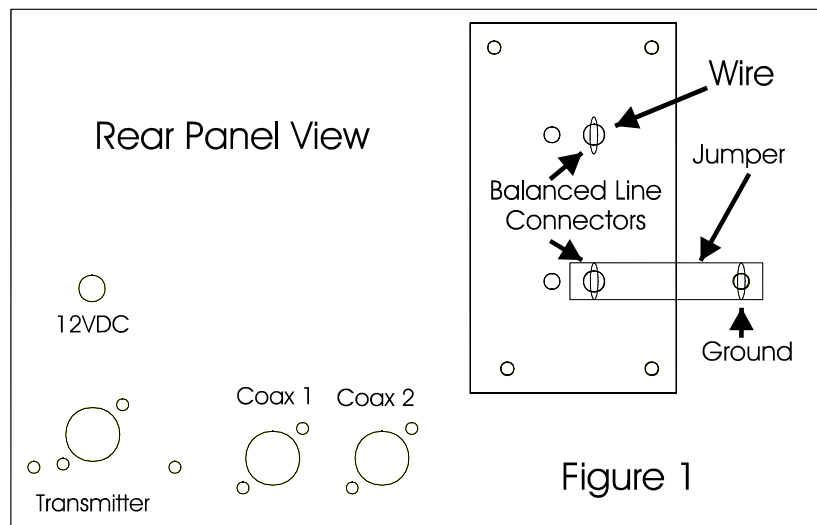


Figure 1

- A. **Coaxial feedlines** attach to the connectors labeled **COAX 1** and **COAX 2** on the rear panel of the tuner. The **ANTENNA SELECTOR** switch on the control panel allows the user to select a **DIRECT** (bypasses the matching circuit) or a **TUNED** (includes the matching circuit) transmitter to antenna connection. The **jumper** must be placed from the ground terminal to the bottom balanced line connector as shown in figure 1 above.
- B. **Random wire** or single wire line antennas should be attached using the terminal marked **WIRE** on the rear panel of the tuner. The **jumper** must be placed from the ground terminal to the bottom balanced line connector as shown in figure 1 above.

Note: Route all single and random wire antennas to prevent RF burn hazard.

- C. **Balanced feedlines** (open wire, twinlead, or twin-axial lines) are connected to the **BALANCED LINE** terminals. The **jumper** from the ground terminal to the bottom balanced line connector should be **removed** for balanced line operation.
4. A connection to a suitable earth ground can be made using the ground terminal on the rear of the tuner. See the section on Grounding Hints later in this manual for ground suggestions.

Operation

The roller inductor has *minimum inductance* at about 000 and maximum *inductance* at about 090 on the reference counter. The capacitors have *maximum capacitance* at 0 and *minimum capacitance* at 10. In simple language, as the frequency is increased, the normal control positions rotate clockwise just like on other equipment.

Note: Always use the most capacitance (settings closest to 0) for the most power handling and the least loss. Use the smallest possible inductance (the smallest number possible) also.

INCREASE the number the roller inductor is set at (on a given frequency) to INCREASE the matching range. Remember, this LOWERS the efficiency and power handling capability of the tuner. After making this setting, adjust the capacitors for minimum SWR.

1. Tune the exciter into a dummy load (most solid state transmitters are "pre-tuned" to 50 ohms and do not require adjusting with the dummy load).
2. Select the desired antenna with the **ANTENNA SELECTOR**. Remember to set the **JUMPER** connection on the rear of the tuner according to the antenna being used. Reference the antenna connection section of this manual for more details.
3. Position the **ANTENNA** and **TRANSMITTER** controls at the settings given in the recommended tuning chart below:
4. Starting from the minimum **INDUCTOR** position (highest number), turn the **INDUCTOR** control clockwise (adding more inductance) while applying a slight amount of power (less than 25 watts). Tune for the lowest reflected power and maximum forward power (lowest SWR). The lowest reading should occur somewhere above the following recommended inductor positions.
5. In this order, adjust the **ANTENNA** control, **INDUCTOR**, and **TRANSMITTER** control for lowest reflected power (and SWR). Repeat this step a few times until the reflected power is zero.
6. If the SWR did not reach 1:1 in step 5, turn the **INDUCTOR** control counter clockwise (to a lower number) again and repeat Step 5. For maximum power handling and efficiency, always adjust the capacitors to the lowest front panel number (highest capacitance) that allows proper antenna matching. This insures maximum power handling and lowest power loss in the tuner.

7. Advance the power (do not exceed 100 watts) and, if necessary, touch up the **ANTENNA** and **TRANSMITTER** controls for minimum reflected power and maximum forward power (lowest SWR). Remove the power.
8. After adjusting the tuner for minimum SWR, an amplifier may be turned on. The **METER** switch should be placed in the HI position, and the amplifier tuned according to the manufacturer's instruction.
9. For quick retuning of the tuner, record the **INDUCTOR** and **CAPACITOR** settings for each band.

Note: Maximum power handling occurs when the **TRANSMITTER** and **ANTENNA** capacitors are set to the **highest** front-panel numbers, and the **INDUCTOR** at the **lowest** counter number, that permits matching the antenna. Following this guideline will ensure maximum power handling capability and efficiency, and the least critical tuning adjustments.

Recommended Tuning Chart

Frequency (MHz)	Transmitter	Inductor (counter indicator)*	Antenna	Load (ohms)
1.8	0	57	5.5	50
1.8	0	90	0	600
2.0	1.5	52	6	50
2.0	0	79	0	600
3.5	1	24	6	50
3.5	5	48	0	600
3.75	1.5	23	6	50
3.75	5	46	0	600
4.0	1.5	21	6	50
4.0	5.5	44	0	600
7.15	0	16	6	50
7.15	7.5	27	0	600
10.1	13	3	8	50
10.1	9.5	21	4.5	600
14.2	0	9	9	50
14.2	8.5	15	0	600
18.1	0	6	9.5	50
18.1	8	10	0	600
21.2	5	7	9.5	50
21.2	7.5	7	1	600
24.9	0	0.5	5	50
24.9	7	4	1.5	600
28.5	2.5	2	8	50
28.5	7	2	1.5	600

Operating Notes

1. While this tuner is designed to have as large a tuning range as possible, there are limits to the tuning range of the capacitors. Some antennas may require more or less capacitance than the controls have. In these cases, the SWR may not be reduced to 1:1. If the SWR is higher than the limits on

your rig, try changing the length of the antenna or feedline to bring the impedance within the tuning range of the tuner.

2. When adjusting the tuner, use the lowest number on the **TRANSMITTER** and **ANTENNA** controls and the lowest number on the **INDUCTOR** control that produces a good SWR. This will reduce tuner losses and increase the power rating of the tuner.
3. If the **INDUCTOR** counter slips out of calibration, turn the **INDUCTOR** fully counter-clockwise. Then, with a small screw driver or pencil, push the reset button through the hole to the right of the counter. This resets the counter to "000".

WARNING:

1. *Never* operate the tuner with the top removed. Contact with the components inside the tuner while transmitting will result in painful RF burns and serious injury.
2. *Never* rotate the **ANTENNA SELECTOR** switch while transmitting. Doing so may permanently damage the switch.
3. Locate the tuner so that the rear terminals *ARE NOT* accessible during operation. The single wire and balanced line connections may have high voltage while being used.
4. Disconnect *all* antennas from the tuner during lightning storms.
5. Always tune with low power (i.e. less than 100 watts). Apply maximum power only after tuning up.
6. Be sure to adjust the SWR before transmitting at high power (above 100 watts). *Do Not* transmit with a high SWR for extended periods of time.

In Case Of Difficulty

If the tuner fails to tune, please **double check** all connections and follow the tuning procedures again. Be sure you are using *enough inductance* (low enough counter number) and have the *capacitors open far enough* (higher front panel numbers).

If the tuner **arcs** at the rated power levels, please **double check** all connections and follow the tuning procedures again. The power rating of this tuner is 2500 watts SSB/CW PEP RF power. Be sure you are using the *least amount of inductance* (highest number) and the *greatest capacitance* (lowest number) possible that still allows matching the load on the operating frequency.

Note: If this tuner arcs when operating on the 160 meter band, it may be necessary to reduce transmitter output power.

If you are still unsuccessful, but the tuner does adjust and operate when switched to a dummy load or another antenna, please read the **Antenna System Hints** section.

Grounding Hints

To minimize RFI, single wire feedlines (such as used with Windom or longwire antennas) should be kept away from other wiring. Radiation will be minimized if the single wire feeder runs parallel and reasonably close to the wire that connects the tuner to the outdoor ground. The antenna feed wire should be adequately insulated to prevent arcing or accidental contact.

For safety, please use good dc and RF grounds. It is particularly important to have a good RF ground while using a single wire feeder. When using a single wire feeder, the tuner needs something to "push"

against in order to force current into the single wire feedline. If a good RF ground is not available, RF will usually find it's way back into the power line (RFI), transmitter audio circuits (RF feedback), or the operator (RF burns).

Water pipes and ground rods provide good dc and ac safety grounds, but they are often inadequate for RF grounding because they are single conductors. Ground rods by themselves are almost useless for dependable RF grounding.

RF grounds work much better when "spread out" over a large area, especially when they employ multiple connections directly to the equipment ground point. Water pipes, heating ducts, and fences may work (especially if they are connected together with multiple wires), but the best RF grounds are radial systems or multi-wire counterpoises. Radials and counterpoises provide large, low resistance surfaces for RF energy.

RF and lightning travel on the surface of conductors. Braided or woven conductors have high surface resistance to lightning and RF. Ground leads for RF and lightning should have wide smooth surfaces. Avoid the use of woven or braided conductors in RF and lightning grounds unless the lead needs to be flexible.

CAUTION: *For operator safety, a good outside earth ground or water pipe ground should always be installed and connected to the case of the MFJ-9982. Make certain the safety ground also connects to the transmitter and other station accessories. A wing nut post marked **GROUND** is provided for ground connection(s).*

Antenna System Hints

For operator safety, a good outside earth ground or water pipe ground should always be installed and connected to the case of the MFJ-9982. Make certain the safety ground also connects to the transmitter and other station accessories. A wing nut post marked **GROUND** is provided for ground connection(s).

Location

For the best performance, an end-fed longwire wire antenna should be at least one quarter-wavelength long at the operating frequency. Horizontal dipole antennas should be at least a half-wavelength long and located as high and clear as possible. While good RF grounds help the signal in almost any transmitting installation, it is extremely important to have good RF grounds with long wire or other Marconi style antennas.

Matching Problems

Most matching problems occur when the antenna system presents an extremely high impedance to the tuner. When the antenna impedance is much lower than the feedline impedance, an *odd quarter-wavelength* feedline converts the low antenna impedance to a very high impedance at the tuner. A similar problem occurs if the antenna has an extremely high impedance and the transmission line is a multiple of a half-wavelength. The half-wavelength line *repeats* the very high antenna impedance at the tuner. Incorrect feedline and antenna lengths can make an otherwise perfect antenna system very difficult or impossible to tune.

One example where this problem occurs is on 80 meters when an odd quarter-wave (60 to 70 foot) open wire line is used to feed a half-wave (100 to 140 foot) dipole. The odd quarter-wave line transforms the dipole's low impedance to over three thousand ohms at the tuner. This is because the mismatched feedline is an *odd multiple* of 1/4 wavelength long. The line *inverts* (or teeter-totters) the antenna impedance.

A problem also occurs on 40 meters with this same antenna example. The feedline is now a multiple of a half-wave (60 to 70 foot) and connects to a full-wave high impedance antenna (100 to 140 foot). The half-wave line repeats the high antenna impedance at the tuner. The antenna system looks like several thousand ohms at the tuner on 40 meters.

This places enormous strain on the balun and the insulation in the tuner, since voltages can reach several thousand volts. This can cause component arcing and heating.

The following suggestions will reduce the difficulty in matching an antenna with a tuner:

1. Never center feed a half-wave multi-band antenna with a high impedance feedline that is close to an odd multiple of a quarter-wave long.
2. Never center feed a full-wave antenna with any feedline close to a multiple of a half-wave long.
3. If this tuner will not "tune" a multi-band antenna, add or subtract 1/8 wave of feedline (for the band that won't tune) and try again.
4. Never try to load a G5RV or center fed dipole on a band below the half-wave design frequency. If you want to operate an 80 meter antenna on 160 meters, feed either or both conductors as a longwire against the station ground.

To avoid problems matching or feeding any dipole antenna with high impedance open wire lines, keep the lines around these lengths. [The *worst possible* line lengths are shown in brackets]:

160 meters dipole:	35-60, 170-195 or 210-235 feet	[Avoid 130, 260 ft]
80 meters; dipole:	34-40, 90-102 or 160-172 feet	[Avoid 66, 135, 190 ft]
40 meters; dipole:	42-52, 73-83, 112-123 or 145-155 feet	[Avoid 32, 64, 96, 128 ft]

Some slight trimming or adding of feedline may be necessary to accommodate the higher bands.

WARNING:

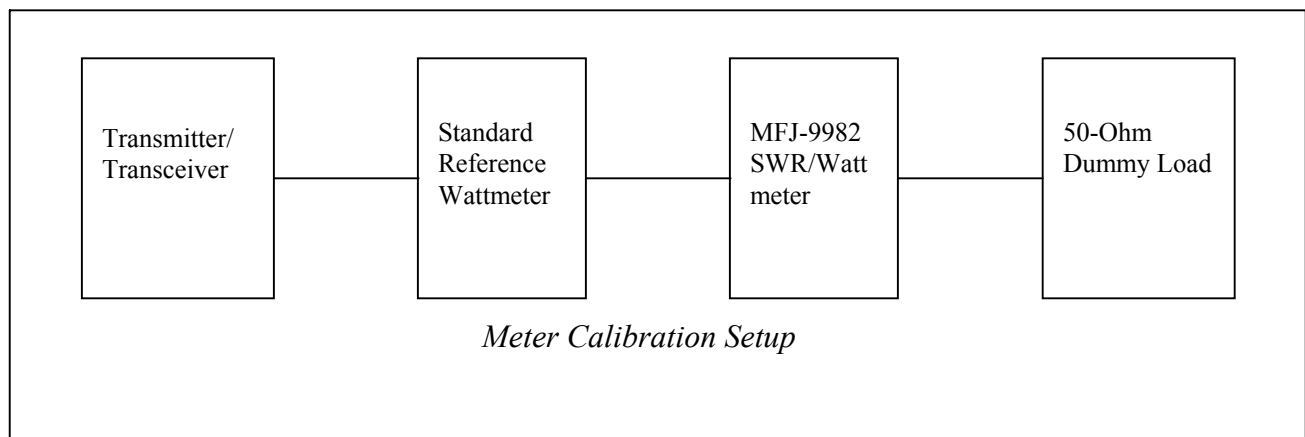
To avoid problems, a dipole antenna should be a full half-wave on the lowest band. On 160 meters, an 80 or 40 meter antenna fed the normal way will be extremely reactive with only a few ohms of feedpoint resistance. Trying to load an 80 meter halfwave dipole (or shorter) antenna on 160 meters can be a disaster for both your signal and the tuner. The best way to operate 160 meters with an 80 or 40 meter antenna is to load either or both feedline wires (in parallel) as a longwire. The antenna will act like a "T" antenna worked against the station ground.

Technical Assistance

If you have any problem with this unit first check the appropriate section of this manual. If the manual does not reference your problem or your problem is not solved by reading the manual, you may call *MFJ Technical Service* at **662-323-0549** or the *MFJ Factory* at **662-323-5869**. You will be best helped if you have your unit, manual and all information on your station handy so you can answer any questions the technicians may ask. You can also send questions by mail to MFJ Enterprises, INC., 300 Industrial Park Road, Starkville, MS 39759; by Facsimile (FAX) to 662-323-6551; or by email to techinfo@mfjenterprises.com. Send a complete description of your problem, an explanation of exactly how you are using your unit, and a complete description of your station.

Meter Calibration

1. Refer to *Figure 1* for the Test Setup and refer to the PCB layout in *Figure 2* for trim pot location.
2. Remove the top of the MFJ-815C.
3. Connect the Test Setup equipment as shown in *Figure 1*. Use a 50-ohm dummy load for the antenna. Set the Transmitter to the 14 MHz in the 20-meter band.
4. With the **3000/300 Watts** button pushed **out** for the 300 Watt scale, Transmit 100 Watts as indicated on the reference meter. Adjust the LO FWD trim pot to set the forward power scale to 100 Watts.
5. With the **3000/300 Watts** button pushed **in** for the 3000 Watt scale, Transmit 1000 Watts as indicated on the reference meter. Adjust the HI FWD trim pot to set the forward power scale to 1000 Watts.
6. To set the reflected power, interchange the TRANSMITTER and ANTENNA coax cables so that the transmitter is connected to the ANTENNA connector and the dummy load is connected to the TRANSMITTER connector.
7. With the **3000/300 Watts** button pushed **out** for the 60 Watt reflected scale, Transmit 10 Watts as indicated on the reference meter. Adjust the LO REF trim pot to set the reflected power scale to 10 Watts.
8. With the **3000/300 Watts** button pushed **in** for the 600 Watt reflected scale, Transmit 100 Watts as indicated on the reference meter. Adjust the HI REF trim pot to set the reflected power scale to 100 Watts.
9. SWR requires no calibration. *Figure 1: Meter Calibration Setup*



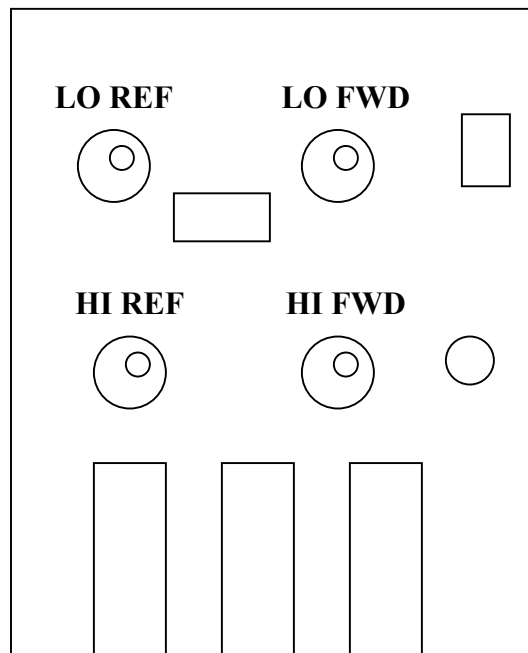


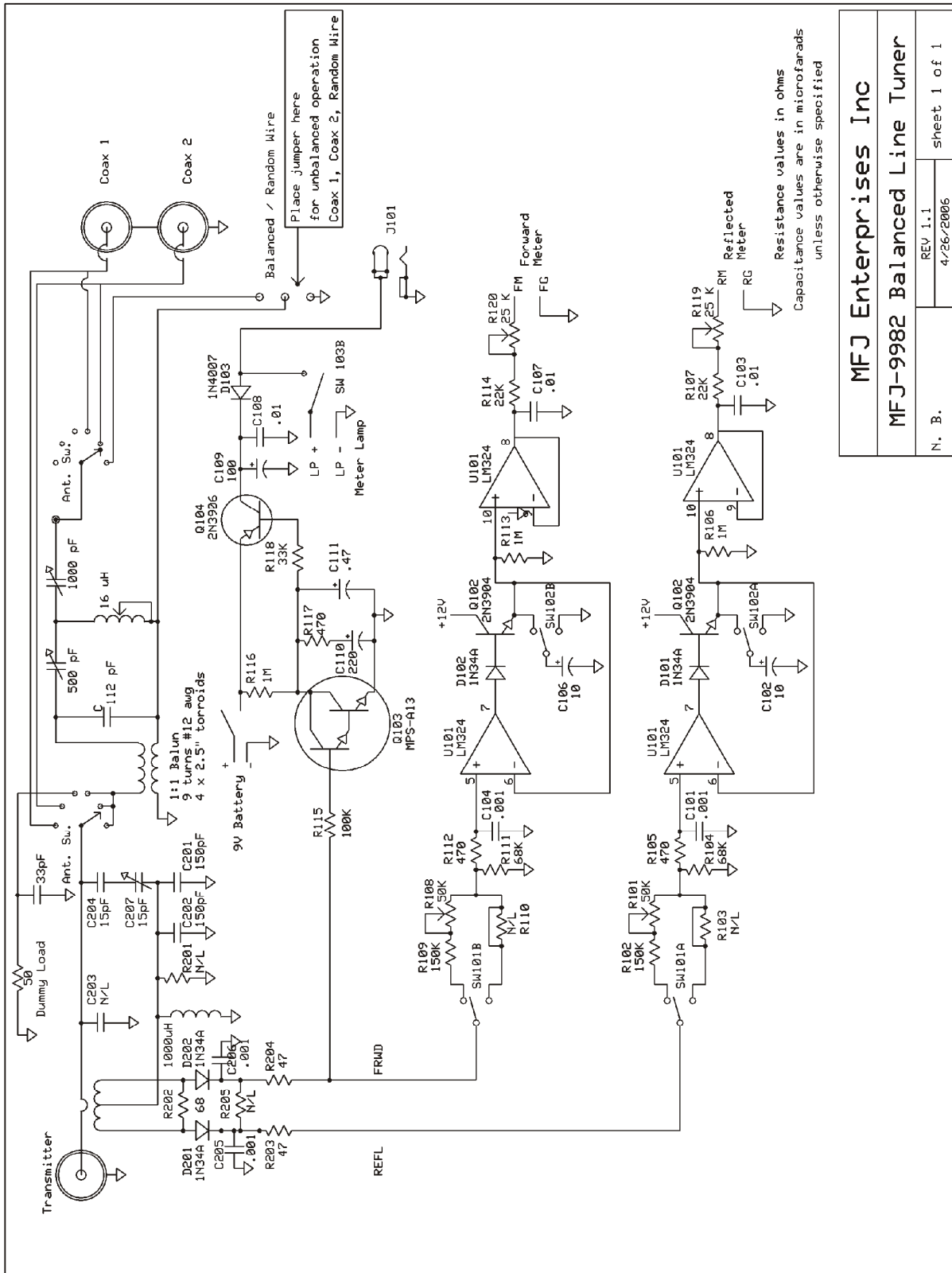
Figure 2: PCB Layout and Trim Pot Location

Roller Inductor Lubrication

Over time the roller inductor may require lubrication to maintain a smooth feel while tuning. Lubrication is applied to the bearings on both ends of the inductor during manufacturing. Lubricating oil can be used on these bearings.

Lubricant may be applied to the inside shaft and wheel. Only use a lubricant such as gun bore oil or electrical contact spray. NEVER APPLY LUBRICANT ONTO WINDING OF THE ROLLER INDUCTOR.

Schematic



MFJ Enterprises Inc	
MFJ-9982 Balanced Line Tuner	
N. B.	REV 1.1
	sheet 1 of 1
	4/26/2006

FULL 12-MONTH WARRANTY

MFJ Enterprises, Inc. warrants to the original owner of this product, if manufactured by MFJ Enterprises, Inc. and purchased from an authorized dealer or directly from MFJ Enterprises, Inc. to be free from defects in material and workmanship for a period of 12 months from date of purchase provided the following terms of this warranty are satisfied.

1. The purchaser must retain the dated proof-of-purchase (bill of sale, canceled check, credit card or money order receipt, etc.) describing the product to establish the validity of the warranty claim and submit the original or machine reproduction of such proof of purchase to MFJ Enterprises, Inc. at the time of warranty service. MFJ Enterprises, Inc. shall have the discretion to deny warranty without dated proof-of-purchase. Any evidence of alteration, erasure, or forgery shall be cause to void any and all warranty terms immediately.
2. MFJ Enterprises, Inc. agrees to repair or replace at MFJ's option without charge to the original owner any defective product provided the product is returned postage prepaid to MFJ Enterprises, Inc. with a personal check, cashiers check, or money order for **\$10.00** covering postage and handling.
3. MFJ Enterprises, Inc. will supply replacement parts free of charge for any MFJ product under warranty upon request. A dated proof of purchase and a **\$8.00** personal check, cashiers check, or money order must be provided to cover postage and handling.
4. This warranty is **NOT** void for owners who attempt to repair defective units. Technical consultation is available by calling (662) 323-5869.
5. This warranty does not apply to kits sold by or manufactured by MFJ Enterprises, Inc.
6. Wired and tested PC board products are covered by this warranty provided **only the wired and tested PC board product is returned**. Wired and tested PC boards installed in the owner's cabinet or connected to switches, jacks, or cables, etc. sent to MFJ Enterprises, Inc. will be returned at the owner's expense unrepaired.
7. Under no circumstances is MFJ Enterprises, Inc. liable for consequential damages to person or property by the use of any MFJ products.
8. **Out-of-Warranty Service:** MFJ Enterprises, Inc. will repair any out-of-warranty product provided the unit is shipped prepaid. All repaired units will be shipped COD to the owner. Repair charges will be added to the COD fee unless other arrangements are made.
9. This warranty is given in lieu of any other warranty expressed or implied.
10. MFJ Enterprises, Inc. reserves the right to make changes or improvements in design or manufacture without incurring any obligation to install such changes upon any of the products previously manufactured.
11. All MFJ products to be serviced in-warranty or out-of-warranty should be addressed to **MFJ Enterprises, Inc., 300 Industrial Park Rd, Starkville, Mississippi 39759, USA** and must be accompanied by a letter describing the problem in detail along with a copy of your dated proof-of-purchase and a telephone number.
12. This warranty gives you specific rights, and you may also have other rights, which vary from state to state.



MFJ ENTERPRISES, INC.
300 Industrial Park Road
Starkville, MS 39759

MFJ-9982 Manual
Version 1D
Printed In U.S.A.